

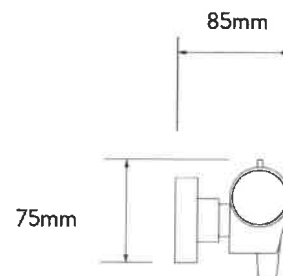
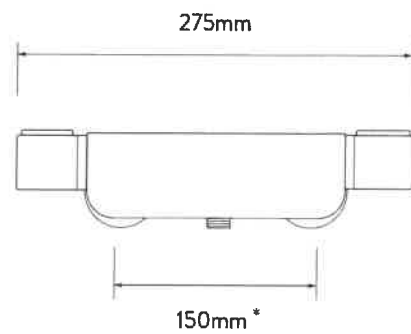
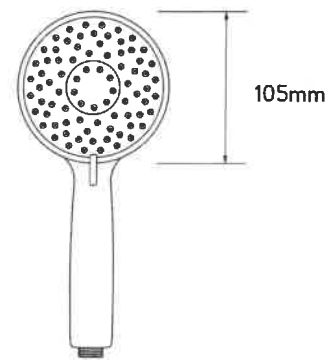
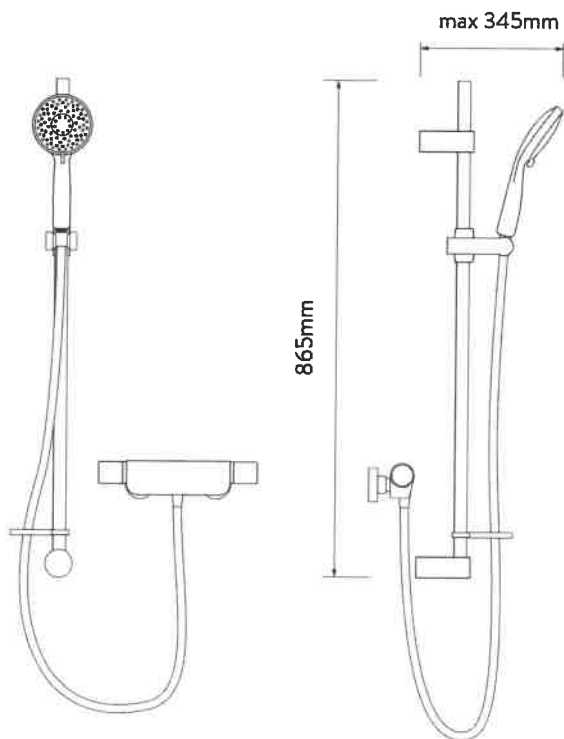
# AQUALISA

## MIDAS™ 220 BAR MIXER SHOWER

WITH ADJUSTABLE HEAD

MD220S

### DIMENSIONAL DRAWINGS



\*Pipe centres can be adjusted between 130mm-170mm using supplied elbows

# AQUALISA

# MIDAS™ 220 BAR MIXER SHOWER

## WITH ADJUSTABLE HEAD

MD220S

### TECHNICAL SPECIFICATION

MINIMUM PRESSURE REQUIREMENTS	0.1 bar
MAXIMUM PRESSURE REQUIREMENTS	10 bar
INLET FITTING CONNECTIONS	3/4" BSP
INLET SUPPLY POSITIONS	Hot/left, cold/right (as viewed from front)
OUTLET CONNECTIONS	1/2" BSP
VALVE INLET CENTRES	150mm (Pipe centres can be adjusted between 130mm-170mm using supplied elbows)
SUPPLY TEMPERATURE	5 - 20°C Cold Supply
	55 - 65°C Hot Supply
MATERIALS	Brass
	Metal and plastic
WATER SYSTEM	Gravity
	Boosted gravity
	Combi and balanced High Pressure systems
FEATURES	Thermosafe
	Safe touch
	3 spray patterns
COLOUR	Chrome
APPROVALS	WRAS Approval pending
GUARANTEE PERIOD	Valve - 5 years
	Shower head and kit - 2 years